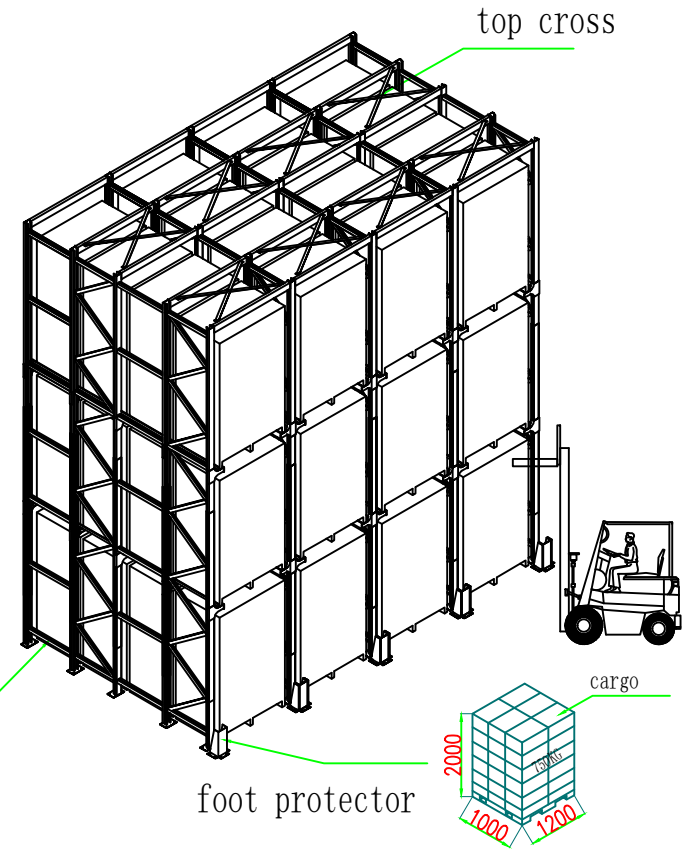
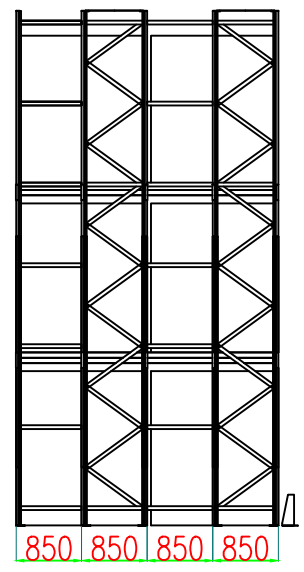
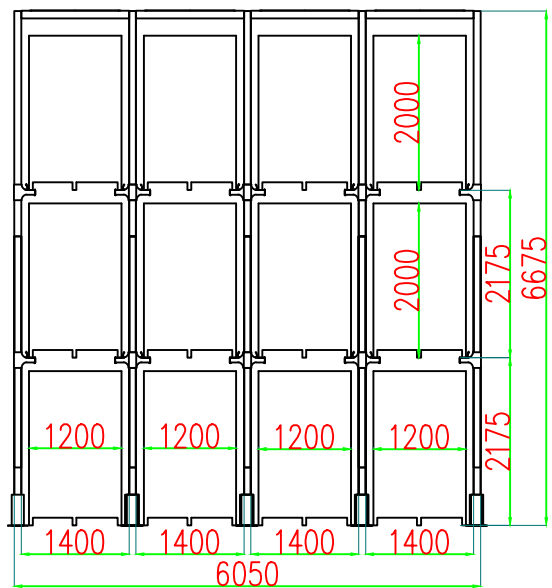


unit:MM

Freezing Room Drive In Rack Structure Plan



Description: Room B and D
 1.Rack Size: L6050*W4250*H6675,
 2.Loading Capacity:750kg/pallet; Total:120pallets;
 Pallet size:1200*800; Forklift direction:L1200
 3.Levels:1+2 levels
 4.Color: Beam in orange;upright in blue.
 Rail beam is galvanization.

Material Details

upright section	beam section	single angle	double angle	rail beam section

 东莞市至佳仓储设备有限公司
 ZHIJIA STORAGE EQUIPMENT CO., LTD